

# LVC-5000-A0

## Fanless Mobile Computer with Intel 847E for Transport Fleet Management Solution



## Features

### Designed for MIL-STD-810G with Extreme Vibration Resistance

LVC-5000-A0 Series is in compliance with MIL-STD-810G vibration and shock standards and includes SSD storage and a Suspension Kit to further improve robustness.

### Fanless Design with Corrugated Aluminum

The corrugated aluminum casing lets heat dissipate through the top of the device, allowing for a fanless design.

### Convenient DC output

The LVC-5000-A0 Series offers 12VDC output (max 1A) for external devices, operational in concert with the Ignition Power Management feature.

### Vehicle Ignition Power Management

Detects vehicle ignition on/off status and allows flexible control of the delay time via software utility.

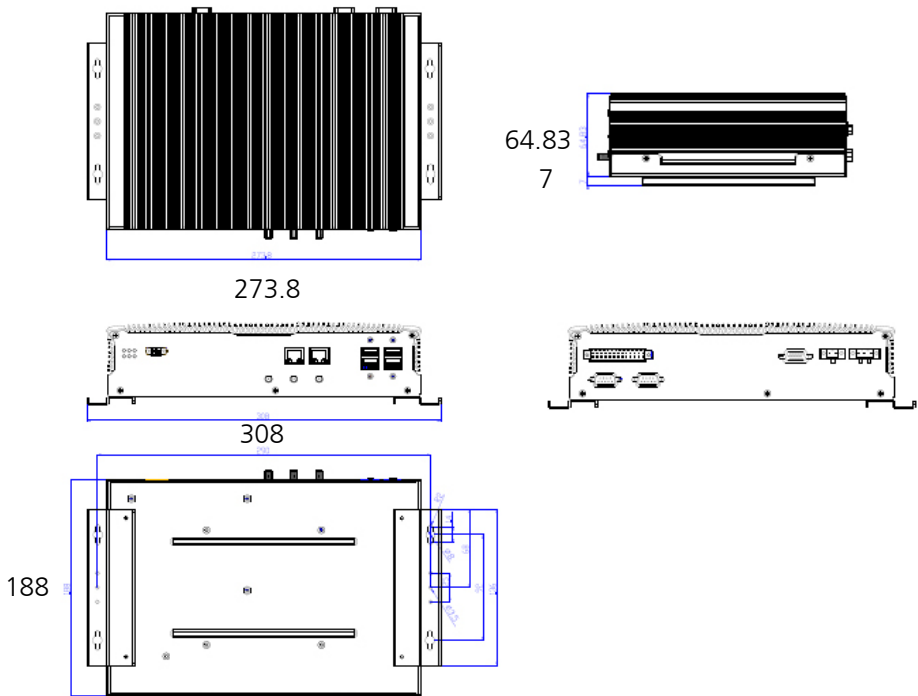
## Settings and Installation via the front panel

MCU setting and CF card and SIM card installation is easy to access simply by opening the front panel.

## Multi I/O

The MIO design includes 12V Level GPIO, audio, MCU TX/RX and also includes 2x DI (Digital Input from MCU) which can connect sensors to detect the environment. Once defined events occur, the LVC-5000 series can be turned on automatically.

**Dimensions: 273.8 x 72 x 188 mm (10.78" x 2.84" x 7.4" )**



## Preliminary Specifications

<b>Dimensions (WxHxD)</b>		273.8 x 72 x 188 mm (10.78" x 2.84" x 7.4" )	
<b>Processor</b>		Intel® Celeron® 847E	
<b>Chipset</b>		Intel HM65	
<b>System Memory</b>	Technology	DDR3 SO-DIMM x1 ( Factory default: 4GB module pre-installed )	
	Max. Capacity	Up to 8GB	
<b>Storage</b>	SATA/CF	Internal 2.5" SSD/HDD drive bay x1, CF socket x1	
<b>Ethernet Controller</b>		Intel 82583V x2	
<b>Graphic Controller</b>		Intel integrated HD graphic engine	
<b>Audio Controller</b>		Realtek ALC886 HD codec	
<b>IO</b>	LAN	GbE RJ45 x 2	
	Display	VGA, maximum resolution up to 2048x1536@60Hz	
	Audio	Mic-in and Line-out with 2 watt by terminal block MIO connector	
	Serial I/O	1x RS-232/422/485 both with RI/5V/12V	
	GPS	Ublox NEO-7N GPS receiver module	
	G-sensor	ADXL 345	
	GPIO		4x DI and 4x DO with 5V/12V Level by jumper setting
			2x DI (from MCU) 3.3V Level 2x DO control relay with contact current @ 2A
	USB 2.0	Type A x4	
	Power Input	3-pin terminal block (+, -, ignition)	
	Power Output	12 V / 1A DC	
	Expansion	Mini-PCIe x2 (Both with SIM card slot)	
	Video Grabber	N/A	
	PoE	N/A	
Others	External: 3x SMA antenna hole, Remote Power switch Internal: Lanner Proprietary MIO		
<b>Power Input</b>		+9~36VDC input range, with ignition delay on/off control	
<b>PoE Power Module</b>		Internal integrated	
<b>OS Support</b>		Linux: Redhat Enterprise 5/ Fedora 14. Linux Kernel 2.6.18 or later Windows: XP embedded ; Win7 Pro FES/Embedded; Win8	
<b>Certifications</b>		CE, FCC Class A, E13, RoHS	
<b>Compliance</b>		Vibration: MIL-STD-810G, Method 514.6 Shock: MIL-STD-810G, Method 516.6	
<b>Operating Temperature Range</b>	Extended	With Selected Industrial Components: -20~55°C/-4~131°F	
	Standard	With Commercial Components: -5~45°C / 23~113°F	

## Ordering Information

LVC-5000-A0

Intel® 847E In-Vehicle Computer, 4GB DDR3 Memory included,  
Internal 2.5" Drive Bay, Mini-PCIe x2 with two SIM card reader,  
Intel GbE x2, USB x4, COM x2, MIO, Audio,  
Power input +9~36Vdc with Ignition, wall mount kit included.

V1.0.0