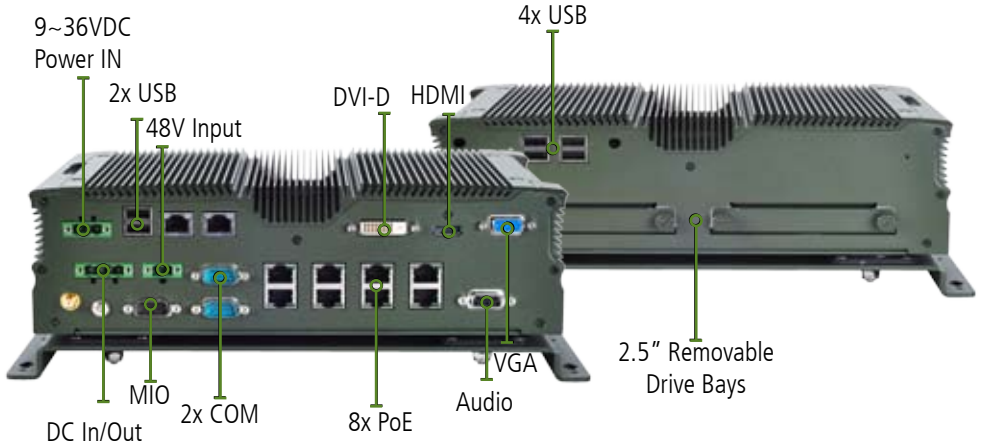


LVC-5770

Fanless Mobile NVR with Intel® Core™ i7-3517UE and 8 Ports PoE for Public Transport Surveillance



Features

Multiple PoE LAN ports to support Transport Surveillance

This mobile NVR with 8 PoE ports (IEEE 802.3af) is suitable for IP Video Surveillance and real time recording applications.

Fanless Design with Corrugated Aluminum

The corrugated aluminum casing allow heat to dissipate off the top of the platform allowing for a fanless design.

Vehicle Ignition Power Management

Detect the ignition on/off status and allow controlling delay time by flexible setting via software utility.

Design for MIL-STD-810G with Extreme operating temperature

This product is ruggedized to support a wider than usual range of temperatures. Outfitted with industrial components (SSD, Memory) this appliance can thrive in harsh conditions.

Diversity of Digital Input/ Output Support

LVC-5770 supports 2x DI (Digital Input from MCU) which can connect sensors to detect the environment. Once certain events occur, LVC-5770 can be turned on automatically. DI/DO supports 12V level for easy usage with vehicle parts.

Design for MIL-STD-810G with Extreme Vibration Resistance

LVC-5770 is in compliance with MIL-STD-810G in vibration and shock with SSD storage and Suspension Kit for further harsh environment.

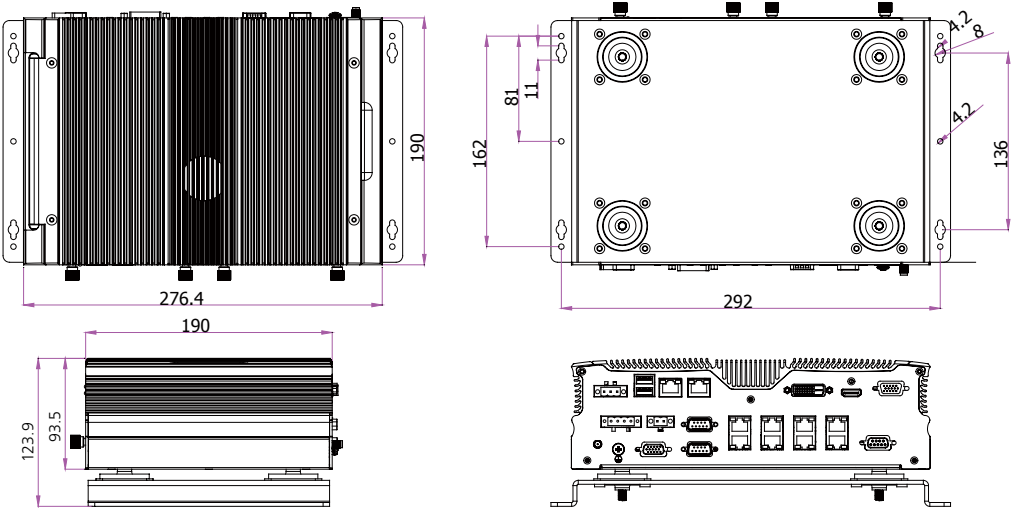
Convenient DC output

LVC-5770 offer 9~36VDC (max 10A) output for external devices. It can be enabled or disabled via software.

2.5" Removable Drive Bays

The LVC-5770 supports two 2.5" removable drive bays and SATA hard drive from 7 mm to 15 mm height, it making switching and swapping drives easier in the fields.

Dimensions: 276.4 x 190 x 93.5 mm



Specifications

Dimensions (WxHxD)		276.4 x 190 x 93.5 mm	
Processor		Intel® Core™ i7-3517UE Processors	
Chipset		Intel HM65	
System Memory	Technology	DDR3 SO-DIMM x2	
	Max. Capacity	Up to 16GB	
Storage	SATA	Removable 2.5" SSD/HDD drive bay x2, SATA hard drive from 7 mm to 15 mm height, mSATA x1	
Ethernet Controller		Intel 82574L x2	
Graphic Controller		Intel integrated HD graphic engine	
Audio Controller		Realtek ALC886 HD codec	
IO	LAN	GbE RJ45 x2	
	Display	DVI-D, maximum resolution up to 1920x1200@75Hz VGA, maximum resolution up to 2048x1536@60Hz HDMI, maximum resolution up to 1920x1200@60Hz Dual display function supports Independent, clone and extended mode.(VGA+DVI or VGA+HDMI)	
	Audio	Mic-in and Line-out with 2 watt by DB9 female connector	
	Serial I/O	2x RS-232/422/485 with RI/5V/12V	
	GPS	Ublox NEO-7N GPS receiver module	
	G-sensor	ADXL 345	
	GPIO	4x DI 12V Level 3x DO 12V Level 2x DI (from MCU) 3.3V Level	
	USB 2.0	Type A x6	
	Power Input	3-pin terminal block (+, -, ignition)	
	Expansion	Mini-PCIe x2 (one with SIM card reader)	
	PoE	PoE x 8, IEEE 802.3af, standard PoE	
	Others	External: 3x SMA antenna hole, reset, Remote Power switch Internal: 9~36Vdc (max. 10A) On/Off software controllable	
	Power Input	+9~36VDC input range, ATX mode support ignition delay on/off control	
	PoE Power Adapter	LVP-POE936A included	
OS Support	Linux: Redhad Enterprise 5/ Fedora 14. Linux Kernel 2.6.18 or later Windows: Microsoft Windows 7/XP/XP pro; Embedded/7 Embedded		
Certifications	CE, FCC Class A, E13, RoHS		
Compliance	Vibration: MIL-STD-810G, Method 514.6 Shock: MIL-STD-810G, Method 516.6		
Operating Temperature Range	Extended	With Selected Industrial Components -20~55°C/-4~131°F	
	Standard	With Commercial Components -5~45°C / 23~113°F	

Ordering Information

LVC-5770-7C	Intel® Core™ i7-3517UE In-Vehicle Computer, DDR3 SO-DIMM x2, mSATA x1, 2.5" Removable Drive Bay x2, Mini-PCIe x2 with one SIM card reader, Intel GbE x2 + Intel GbE x8 PoE Ports, USB x6, COM x2, PC Audio, Multiple I/O integrated Dlx4, DOx3, remote power button and 12VDC output, DC Power input +9~36Vdc with Ignition, Suspending Kit and PoE Power Adapter included.
-------------	---

LVP-POE936A PoE Power Adapter

Vehicle Power (12V/24V) with Ignition
Input Range: 9~36VDC



Dimensions: 70 x 176 x 43mm

